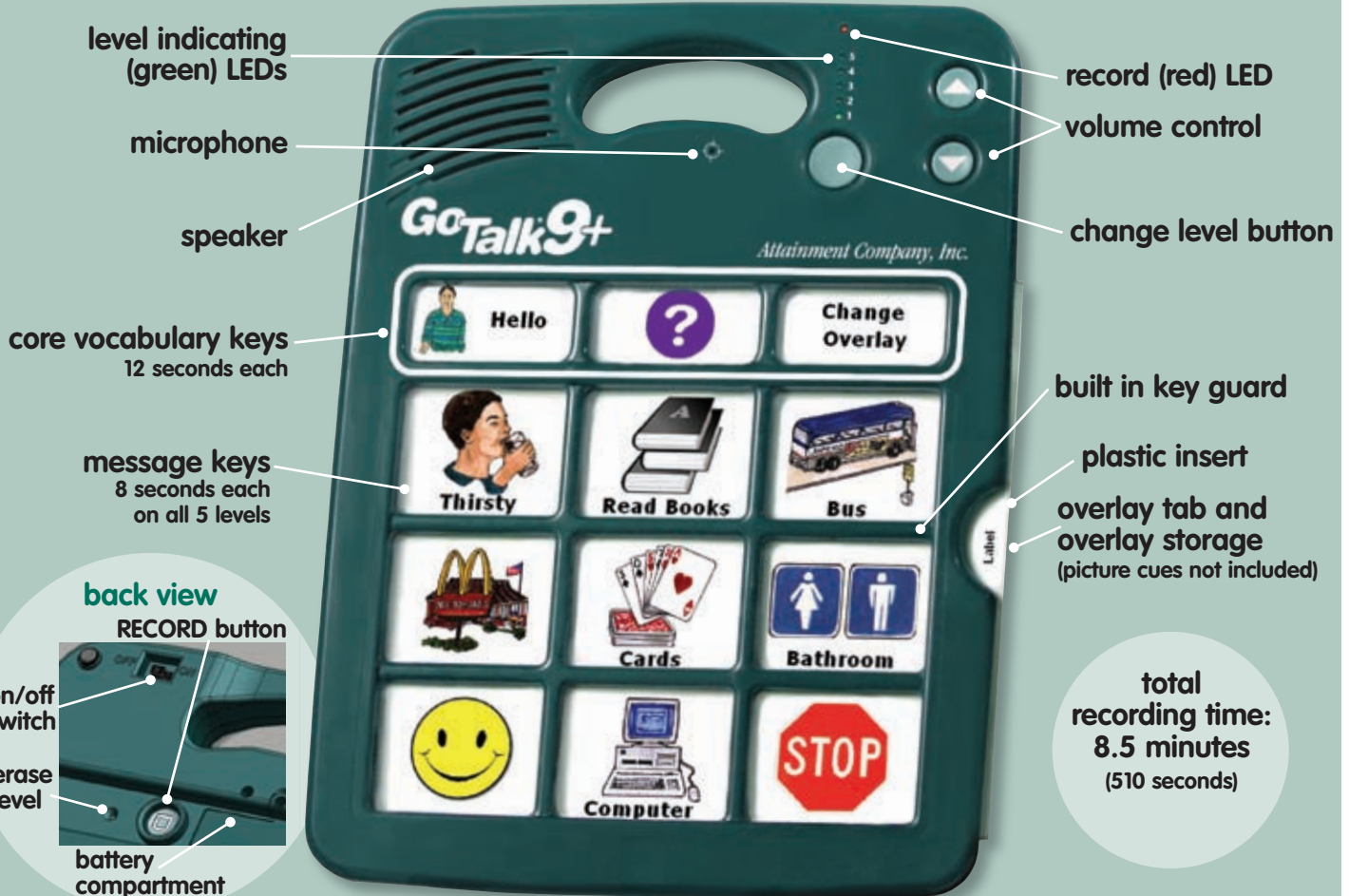


Attainment Company's

GoTalk[®]9+

user's
guide



size: 9" x 12" x 1 1/8" weight: 20 ounces

instructions

record message keys

Turn on the GoTalk 9+ and you'll hear a beep! Press and release the record button, the level LED (green) and the record LED (red) will light. While it is lit, press and release the message key that you're going to record on. As you press the message key, the record LED (red) blinks to indicate it's recording.

When you finish the message, press any key to stop recording. Continue to record each message or record the entire level. When you've recorded all your messages (or the entire level or levels) press and release the record button.



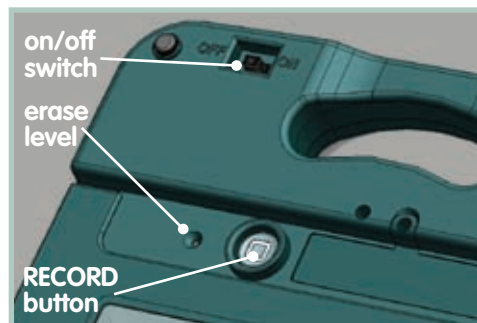
Play a message

Press and release a message key; the green level light will blink. The message you recorded will playback.

levels

To change level, press and release the change level button below the green LEDs. The green LED indicating the current level will blink. Press again to change to another level. Change the paper overlay to correspond to the new level.

To erase level, press and release the record button on the back of the device. Push the Change Level button to the level you want to erase. Insert a pen point or paper clip into the pinhole (Erase Level) on back of unit. This will erase the entire level. Repeat steps above to erase other levels. Erase level does not erase core vocabulary words or phrases.



back view



lock features

Eliminates unwanted use of these buttons.

- **Level Lock**—to activate level lock follow these steps: Press and hold down the record button on back of the unit. The red record LED and green level LED will turn on. While still pressing the record button, press and release the volume down button. The record LED and the level LED will turn off to show you level lock is ON.
- **Record Lock**—to activate the record lock: Press and hold down the record button on the back of the unit. The red record LED and green level LED will turn on. While still pressing the record button, press and release the volume up button. The record LED and level LED will turn off to show the record lock is ON.

To UNDO the record and level lock, turn the unit off. While off, hold down the record button and turn the unit on. The green LED light turns on and goes through each level and the record LED goes on briefly and beeps.

core vocabulary

3 core vocabulary message keys

Follow the directions above to record a message. The core vocabulary messages stay the same on each level, until you record over them.

Place
student's
picture
here



Bus



Listen



actual size of core message keys

These 3 messages can be customized to fit in any situation!

idea one

Hi

Break

Bye

idea two



Change
Overlay

Core vocabulary should be used for frequently communicated messages. These messages could include greetings, comments, common questions, or basic needs. Core vocabulary messages will stay consistent regardless of the level.

create overlays

GoTalk™ overlay software

Creating overlays is easy with GoTalk Overlay Software! Includes over a thousand photos and illustrations, plus you can paste your own images into any overlay. Overlay cells can contain an image, text (in any language!) or both. Editing features let you change color, size, and font of text. Move, enlarge, rotate, and crop pictures. Templates included for all GoTalk products. Save overlay files and share with other GoTalk users.



implementation ideas

You can use your GoTalk 9+ for many activities. Here are a few possibilities:

- expressive augmentative communication device
- modified curriculum activities
- provide visual and auditory language cues
- give instructions across environments or tasks
- use in English as a second language program

ideas



overlays

There are several ways to make overlays for the GoTalk 9+!

- use GoTalk Overlay Software
- write words on blank overlay template with marker
- cut/paste pictures or symbol cues onto an overlay template
- place velcro on each square and add a texture cue for visually impaired

overlay storage compartment

You can now store at least one overlay for each level in the overlay storage compartment. This will make it easier to change overlays when you change environments or conversational topics! Store your user guide here too.



Attainment Company, Inc.

P.O. Box 930160 • 504 Commerce Parkway
Verona, WI 53593-0160 • USA • Phone 1-800-327-4269
INTERNATIONAL CALLS 1-608-845-7880

www.AttainmentCompany.com